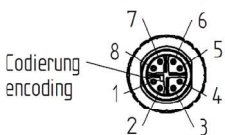
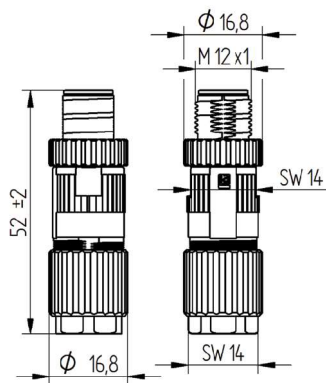


# Be Certain with Belden



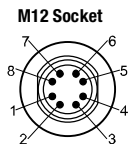
## Gigabit Shieldable Field Attachable Connector



<b>Type</b>	0986 EMC 600
<b>Product description</b>	Field attachable connector, M12 male connector with threaded joint, shieldable, assembling with insulation displacement connection, 8 poles X coded.
<b>Mechanical</b>	
<b>Approvals</b>	EN 45545-2 (HL3) Fire Protection on railway vehicles
<b>Environmental</b>	
<b>Degree of protection</b>	IP 67 (only in locked position with it proper counterparts.)
<b>Operating temperature range</b>	-25°C to +85°C, notice Derating
<b>Materials</b>	
<b>Contact bearer</b>	PA
<b>Housing</b>	GD - ZnAl, nickel-plated
<b>Contact</b>	CuZn
<b>Contact plating</b>	Cu/Au
<b>Knurled screw</b>	GD - ZnAl / CuZn, nickel-plated
<b>Shielding- / Grounding- plate</b>	CuSn, tin-plated
<b>strain relief clamp</b>	PA
<b>O-ring</b>	FPM
<b>Gasket(s)</b>	NBR
<b>Electrical</b>	
<b>Operating voltage</b>	48 V
<b>Rated voltage</b>	50 V AC / 60 V DC
<b>Rated current</b>	0.5 A Notice derating
<b>Insulation resistance</b>	> 10 <sup>8</sup> Ω
<b>Pollution degree</b>	3/2 acc. to DIN EN 60664-1 (VDE 0110-1)
<b>Mating cycles</b>	> 100
<b>Type of connection</b>	ID
<b>Cable-data</b>	
<b>outer diameter cable</b>	∅ 5...9.7 mm
<b>recommended cable cross-section</b>	AWG26/7 - AWG22/7 AWG24/1 - AWG22/1
<b>Cutline</b>	
Do not connect or disconnect under load.	

The application of these products in harsh environments should always be checked before use. Specifications subject to alteration.

### Pin assignment



<b>Part number</b>	<b>Order number</b>
0986 EMC 600	934-637-032

